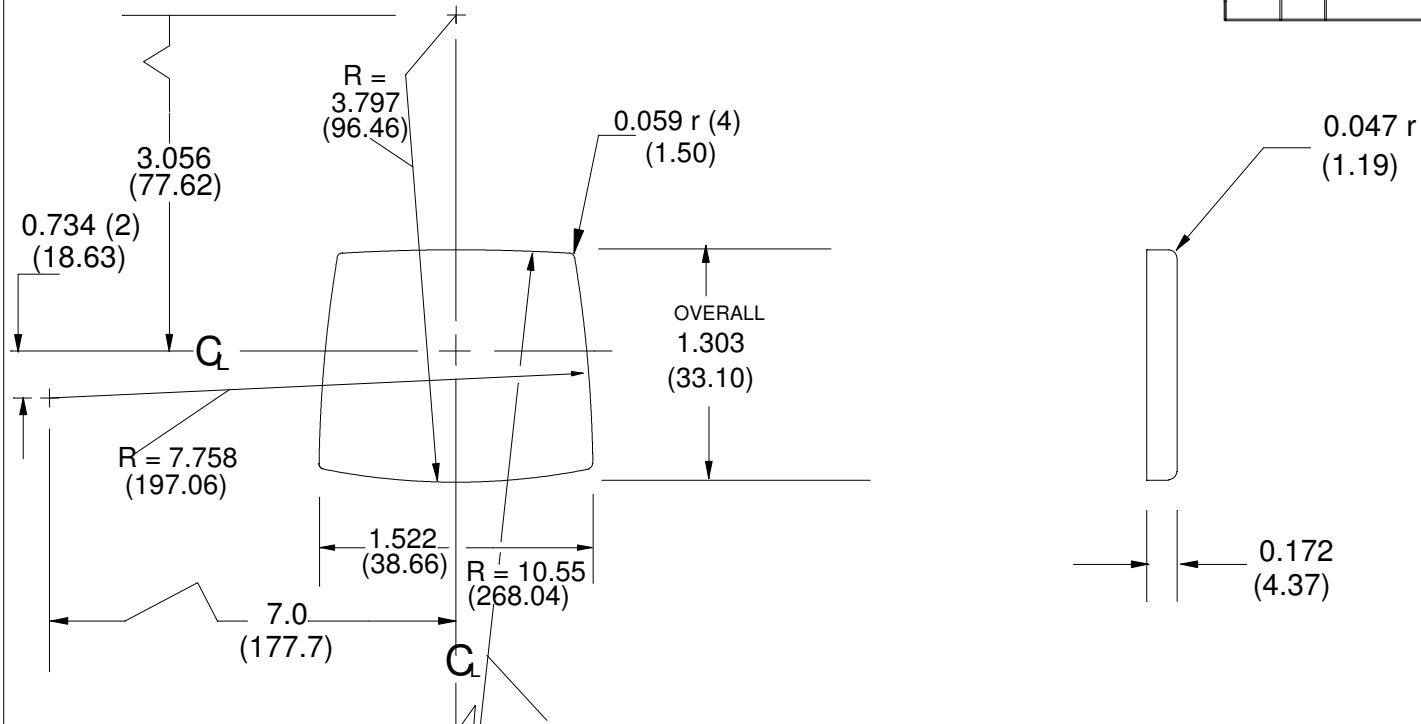


2535-172 B

DATE	SYM	REVISION RECORD	AUTH.	DR.	CK.
5/06	A	REDRAWN NEW DIMENSIONS	HH		
5/19	B	0.63 Reduct. & 1.50 r	HH		



() = MILLIMETERS

TOLERANCES (EXCEPT AS NOTED)	ACME METAL CAP CO., INC.		
DECIMAL (0.13) ± 0.005 in.	Material: 0.015 Diff. (50/20) Tinplated Steel	SCALE 1 : 1	DRAWN BY
FRACTIONAL (0.25) ± 0.010 in.	TITLE MAX GODET		
RADII (0.39) ± 1/64 in.	DATE 16 Mar '06	DRAWING NUMBER 2535-172	B