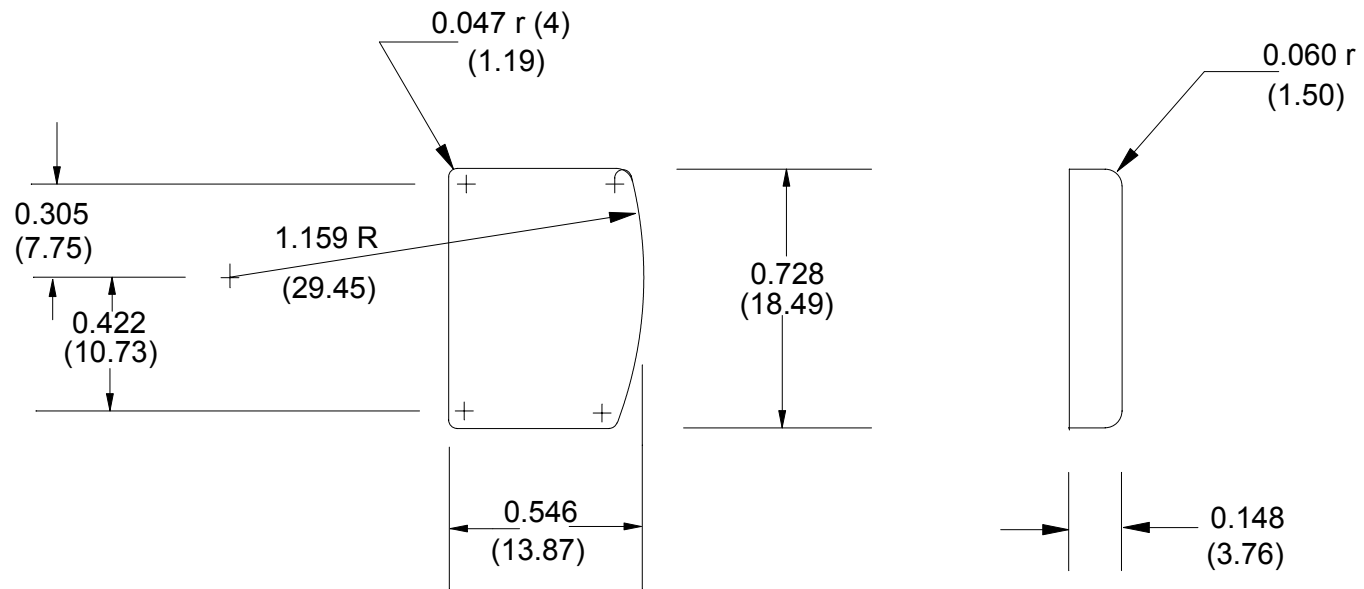


2526-148

DATE	SYM	REVISION RECORD	AUTH.	DR.	CK.



() = MILLIMETERS

TOLERANCES (EXCEPT AS NOTED)	ACME METAL CAP CO., INC.		
DECIMAL (0.13) ± 0.005 in.	MATERIAL: 0.015, 50/20 DIFFERENTIAL TINPLATE	2 : 1	DRAWN BY
FRACTIONAL (0.25) ± 0.010 in.	TITLE 6JKK-01-9001 6 of 6		APPROVED BY
RADII (0.39) ± 1/64 in.	DATE 21 Feb '06	DRAWING NUMBER 2526-148	